

Application

It can be used to transfer clean or slightly dirty water or other liquids similar to water in physical and chemical properties. It is suitable to be immersed in water for lifting water from the well or the pool, and draining water from the basement.

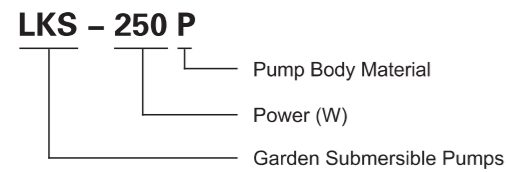
Pump

- Plastic pump body
- Extensive use with two outlets
- Float switch ensures automatic cut-in and cut-out
- Max. liquid temperature: +35°C
- Max. immersion depth: 7 m
- Max. diameter of particle: 5 mm

Motor

- Motor with aluminum winding
- Built-in thermal protector
- Insulation class: F
- Protection class: IPX8

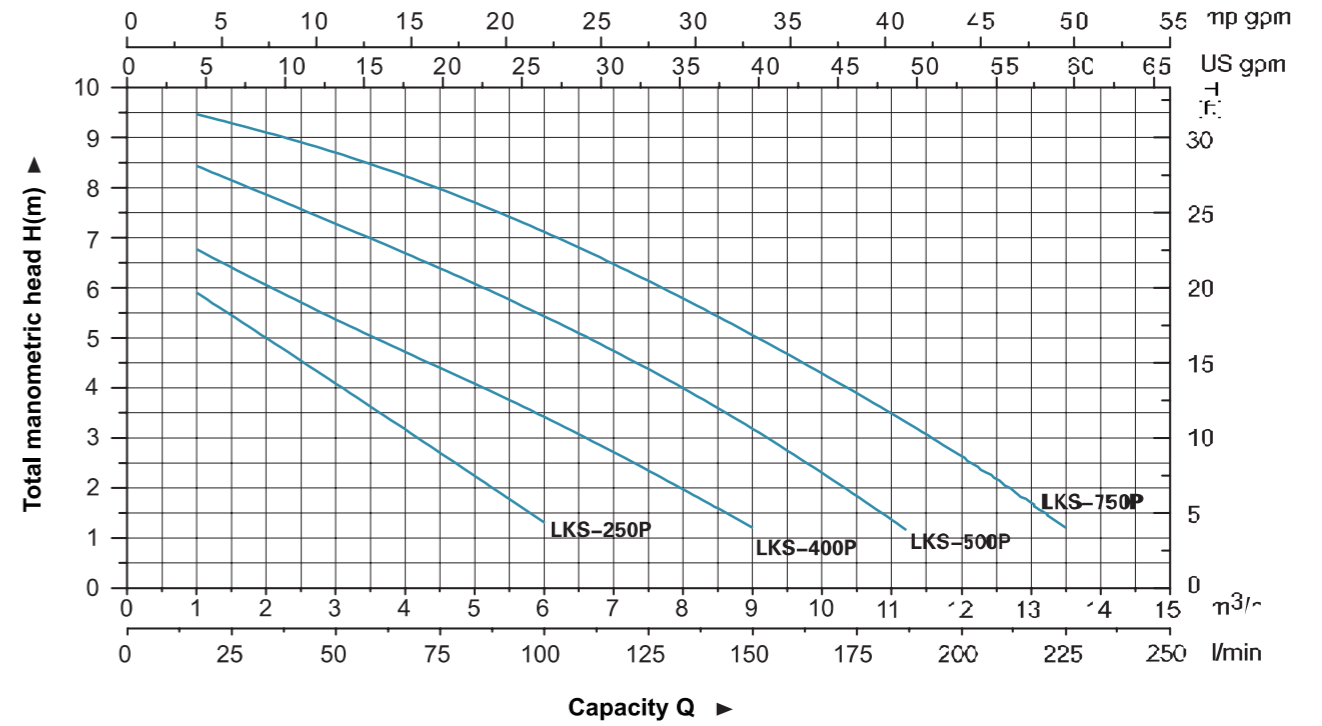
Identification Codes



Technical Data

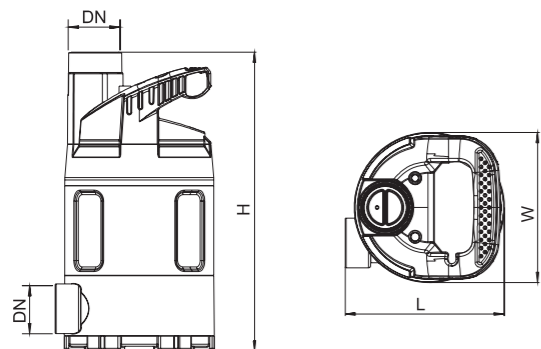
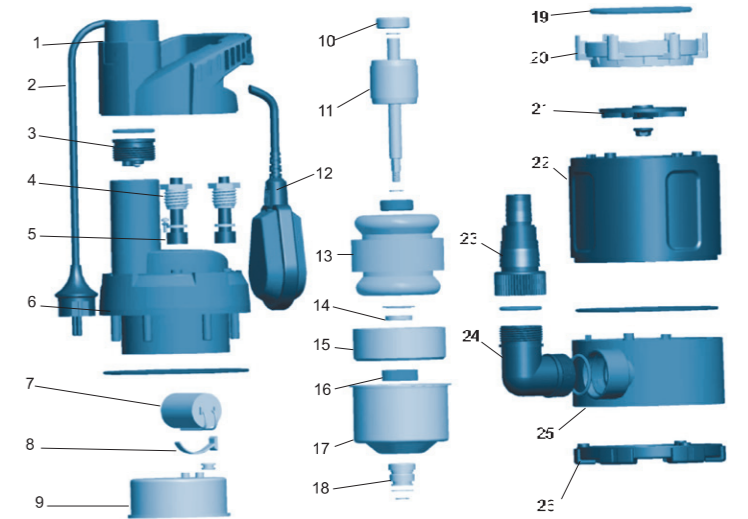
MODEL	POWER (P ₂)		Q (m ³ /h)	Q (l/min)											
	W	HP		0	1.5	3	4.5	6	7.5	9	10.5	12	13.5	15	
LKS-250P	250	0.33	H (m)	6.8	5.3	4.1	3	1.3	0.4	-	-	-	-	-	
LKS-400P	400	0.5		7.5	6.2	5.3	4.5	3.5	2.3	1.2	-	-	-	-	
LKS-500P	500	0.66		9	8.1	7.3	6.4	5.5	4.5	3.3	1.9	0.4	-	-	
LKS-750P	750	1		9.8	9.5	8.8	8	7.2	6.3	5.1	4	2.7	1.2	-	

Hydraulic Performance Curve



Materials Table

No.	Part	Material	No.	Part	Material
1	Handle	PP	14	Oil seal	
2	Plug cable	Rubber	15	Bearing seat	ZL102
3	Plug	PP	16	Washer	NBR
4	Nut	PP	17	Stator cover	Steel
5	Cable jacket	EPDM	18	Mechanical seal	Carbon/ceramic
6	Roof	PP	19	O-ring	NBR
7	Capacitor		20	Retainer ring	PP
8	Capacitor clip	POM	21	Impeller	PPO
9	Upper cover	ZL102	22	Pump body	PP
10	Bearing		23	Connecting nut	PP
11	Rotor		24	Outlet adapter	PP
12	Float switch	PP	25	Base	PP
13	Stator		26	Base plate	PP



Dimension

Model	DN	L (mm)	W (mm)	H (mm)
LKS-250P	32	157	148	295
LKS-400P		157	148	295
LKS-500P		157	148	316
LKS-750P		157	148	316

Package Information

Model	GW (Kgs)	L (mm)	W (mm)	H (mm)	Quantity (PCS/20 TEU)
LKS-250P	4.4	210	160	310	2064
LKS-400P	4.6	210	160	310	2064
LKS-500P	5.2	210	160	330	2064
LKS-750P	6	210	160	330	2064